

TECHNICAL DATA

SPECIFICATIONS

Robot version	Handling Capacity	Reach
RS 150*	150kg**	app. 1m

Mounting	On gantry (floor mounted)
----------	---------------------------

Number of axes	
Robot manipulator	5
External devices	-

Integrated air supply	(external)
-----------------------	------------

Performance

Positional repeatability	< ±1mm
--------------------------	--------

Axis movements

Working range

Axis A, gantry	Optional
Axis B, upper arm	147°
Axis C, lower arm	223°
Axis D, wrist tilting	192°
Axis E, wrist rotation	Unlimited

Max. speed***

Axis A, gantry	1000mm/s
Axis B, upper arm	50 °/s

Axis C, lower arm	30 °/s
Axis D, wrist tilting	50 °/s
Axis E, wrist rotation	180 °/s

ELECTRICAL CONNECTIONS

Supply voltage	400V, 50/60Hz
----------------	---------------

PHYSICAL

Dimensions	
Total height	1.595mm
Base	470x370mm

Weight	
Robot incl. base, excl. gantry	app. 220kg

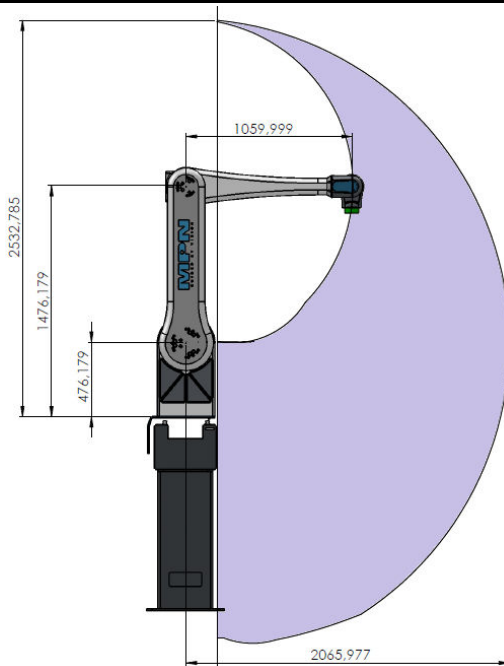
Environment

Ambient temperature	
In operation	5°C – 45°C

Relative humidity	Max. 95 %
-------------------	-----------

Degree of protection	
Standard and clean room versions	IP54

Working range



- * With Nabtesco gears
- ** According to test
- *** Used in 24h test



Værkstedvej 16
DK-5500 Middelfart
+45 66 14 99 11

www.robostacker.com
info@robostacker.com